





THE WORLD LEADER IN  
FUME EXTRACTION TECHNOLOGY

## AD Universal

Advantage

The AD Universal fume extraction and filtration system has been designed to provide cost effective solutions for light to medium duty applications. These compact systems are ideal for small scale industrial environments and light laser coding applications.

### STANDARD FEATURES:

- Digital speed control
- Filter condition indicator
- Long life, low cost replacement filters
-  DeepPleat pre filter
-  Advanced Carbon Filter technology
- Low noise level
- Small footprint

### OPTIONAL FEATURES:

- VOC gas sensor (Volatile Organic Compound)
- Remote stop / start interface
- Filter change / System fail signal

The compact system designed for small scale industrial environments and light laser coding applications.



Featuring optional DeepPleat filter technology



Featuring Advanced Carbon Filter technology

### TYPICAL APPLICATIONS:

- Lasering
- Welding
- Coding
- Cutting
- Marking
- Drilling
- Engraving



PART NUMBERS					
Model	Voltage	Part No.	24V Stop / Start	Filter change / System failure signal	VOC Monitoring
AD Universal Powder Coated	115V - 230V	L2244A	A2001	A2002	A2003

REPLACEMENT FILTERS		
Model	DeepPleat Pre Filter	Combined filter
AD Universal	A1030167	A1030166

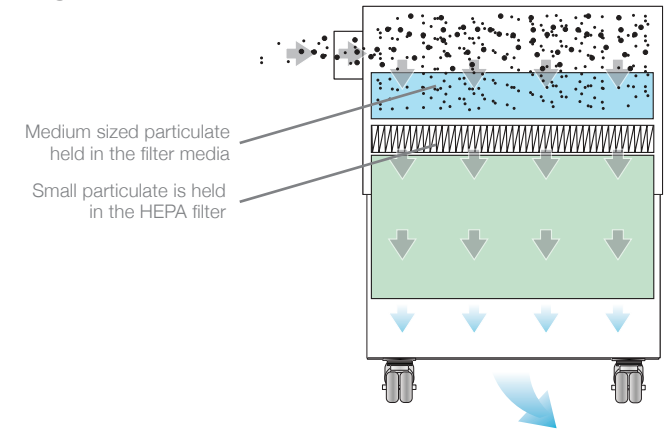
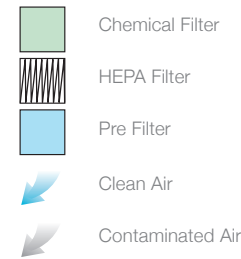
TECHNICAL DATA		
	230V	115V
Dimensions (HxWxD)	625 x 355 x 520 mm	24.6 x 14 x 20.5"
Cabinet Construction	Powder coated mild steel	Powder coated mild steel
Airflow / Pressure	380m <sup>3</sup> /hr / 96mbar	223cfm / 96mbar
Electrical Data	90 - 257v 1ph 50/60Hz Full load current: 12.5 amps/ 1.1kw	
Noise Level	< 60dBA*	< 60dBA*
Weight	50kgs	110lbs
Approvals	CE	UL

\* At typical operating speed.

DEEPPLEAT PRE FILTER SPECIFICATIONS	
Surface Media Area	6m <sup>2</sup> approx
Filter Media	Glass Fibre
Filter Media Construction	100mm Maxi Fold construction with Webbing Spacers
Filter Efficiency	F8 (95% @ 0.9 microns)

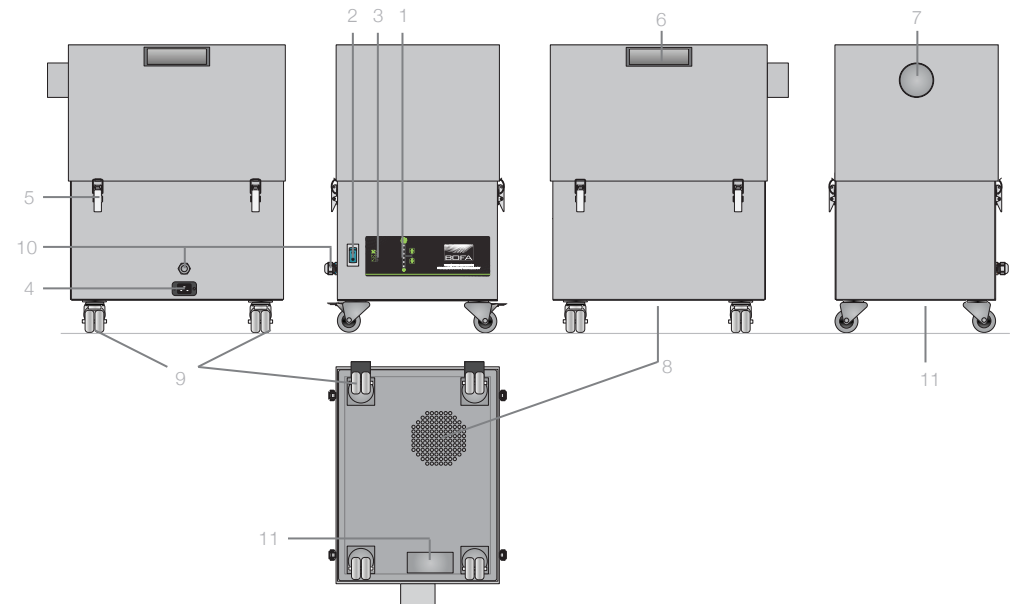
COMBINED FILTER SPECIFICATIONS	
HEPA Filter Media	Glass Fibre
HEPA Media Construction	50mm Maxi Fold construction with Webbing Spacers
Filter Housing	Zintec Mild Steel
Treated Activated Carbon	11kgs
Filter Efficiency	99.997% @ 0.3 microns

## AIRFLOW THROUGH FILTERS



## TECHNICAL SPECIFICATION

- |                            |                                 |
|----------------------------|---------------------------------|
| 1 Digital Speed Control    | 7 Hose Inlet Connections - 75mm |
| 2 On / Off Switch          | 8 Motor Cooling Inlet           |
| 3 Filter Condition Display | 9 Castors                       |
| 4 IEC Power Cable Inlet    | 10 Signal / Interface Cable     |
| 5 Lid Fastening Latches    | 11 Exhaust Outlet               |
| 6 Handles                  |                                 |



Other hose kits and filters are available. All of the above units are fitted with our standard filter combinations. For specific applications please call us for details. Replacement filters should always be ordered using the part number on the filters inside your extractor to ensure the correct filter is ordered. Datasheet correct at time of print.

Date:27/2/13 V:2



**BOFA INTERNATIONAL LTD**

TEL: +44 (0) 1202 699 444 FAX: +44 (0) 1202 699 446 EMAIL: sales@bofa.co.uk WEB: www.bofa.co.uk

**BOFA AMERICAS, INC**

TEL: (618) 205 5007 FAX: (866) 707 2632 EMAIL: sales@bofaamericas.com WEB: www.bofaamericas.com

