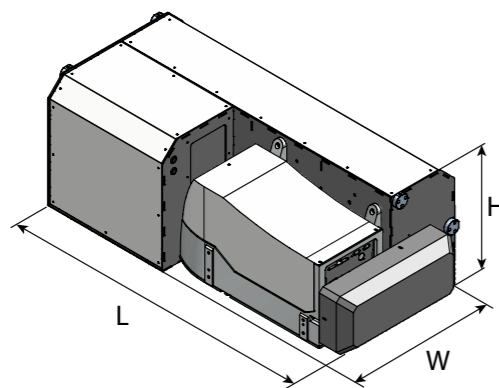


NEW GENERATION, LARGER FIELD/SMALLER SPOT SIZE OF WORK
IN SEI LASER CUTTING/MARKING SYSTEM OEM LINE



Model	I-Scan 150 W	I-Scan 300 W	I-Scan 500 W
Wavelength [micron]	10,4-11,2		
Laser technology CO ₂	sealed-off with RF discharge excited laser source		
Nominal power [W]	135	250	450
Max. peak power [W]	330	700	1200
M ² factor	< 1.2		
Cooling	H ₂ O closed loop		
Protection	IP 54, ZnSe protective window, sealed-off optical path		
Safety norm compliance	2006/95/CE Low Voltage Directive 2006/42/CE Machinery Directive 2004/108 Electromagnetic Compatibility Directive CEI EN 60825-1 Laser I-Scan is a class 4 product		

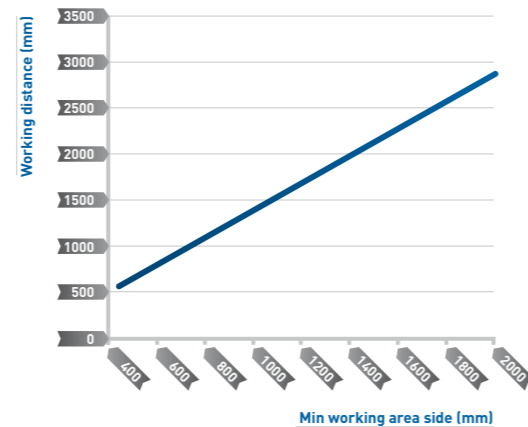


I-Scan 150 W	I-Scan 300 W	I-Scan 500 W
W = 552 mm	W = 677 mm	W = 677 mm
L = 1240 mm	L = 1610 mm	L = 1610 mm
H = 449 mm	H = 480 mm	H = 480 mm
250 kg	300 kg	350 kg

Main features

- Zero maintenance
- High reliability
- State of the art technology and performance
- Optimized for OEM integration in production lines
- Remote control and diagnostic module included
- Control electronics "full digital"
- Ability to operate in "stand alone" mode without PC
- Focus distance set via software [4 optical axis technology]
- Camera integrated in the scan-head, vision aligned to the laser beam
- Optical calibration of the work area
- Roto-traslation of the works files following the reference markers detected by the camera

Focal lengths reference



Backlight (LGP Panel)



PMMA - Decoration



Wood - Decoration



Stone and ceramic tiles



- **I-Scan**, one of the models developed by SEI Laser in the **OEM Line**, is a cutting/marking system exploiting the new generation of galvo technology, with the largest field of work and the smallest spot-size. Specifically designed for converting and die-cutting applications in markets such as: textile, footwear, leather, paper, electronic, automotive (technical textiles), and lighting (LGP - Backlight for LED), on large format up to 2000x2000 mm.
- **I-Scan** can be equipped with a CCD Camera system, integrated in the scanning head to carry out working processes with extremely high accuracy of the laser beam positioning on the target object.
- **OEM line** is a product range designed by **SEI Laser** to easily integrate laser technology into production lines or vertical systems.

The product is CE marked.
Features and system requirements may change without notice.



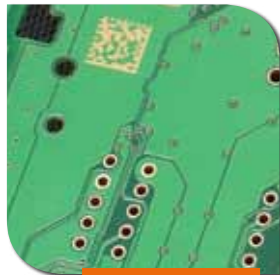
Easy opening - Flexible packaging



Kiss cutting - Perforation



Commercial print finishing



Artistic diecutting

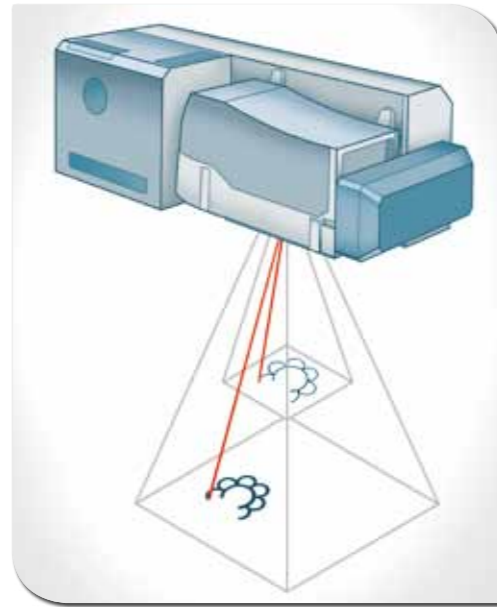


Commercial print finishing

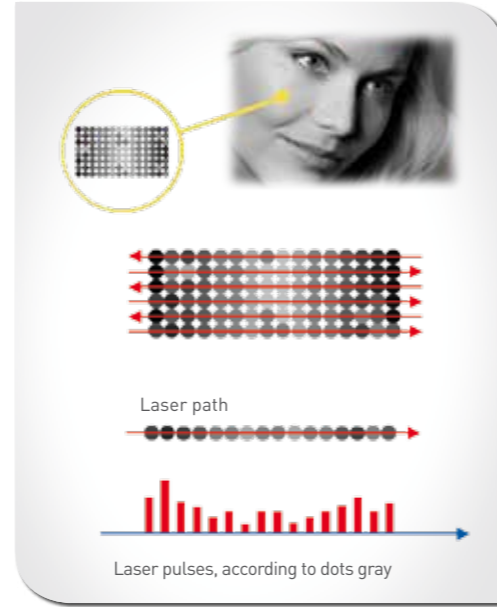


Leather - Garments

The so called "digital converting" market has expanded sharply in recent years. The right system to meet the highest demands of this growing market is **I-Scan** designed by SEI Laser. **I-Scan** is a laser marking/cutting system with CO₂ "sealed off" technology



operating in 10.600 nm developed to be easily integrated into production lines: the **OEM**. Besides exploiting "sealed off" laser sources, **I-Scan** has particular features such as a 3 galvo interpolated axis optical

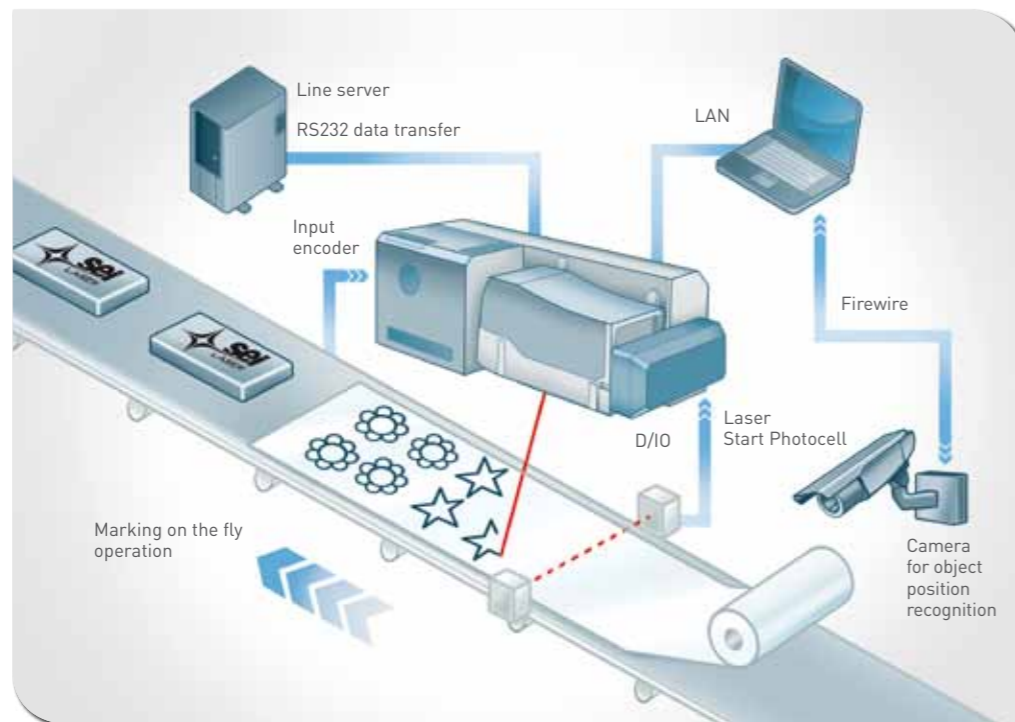


WORKING AREAS

- Min. Area = 450 mm x 450 mm
- Working distance = 600 mm
- Spot diameter = ≈220 μm
- Max. Area = 2000 mm x 2000 mm
- Working distance = 2850 mm
- Spot diameter = ≈950 μm

HI END GRAY-TONES CAPABILITY (LASER ENERGY MODE)

To perform remarkable photorealistic bitmaps at high marking speed

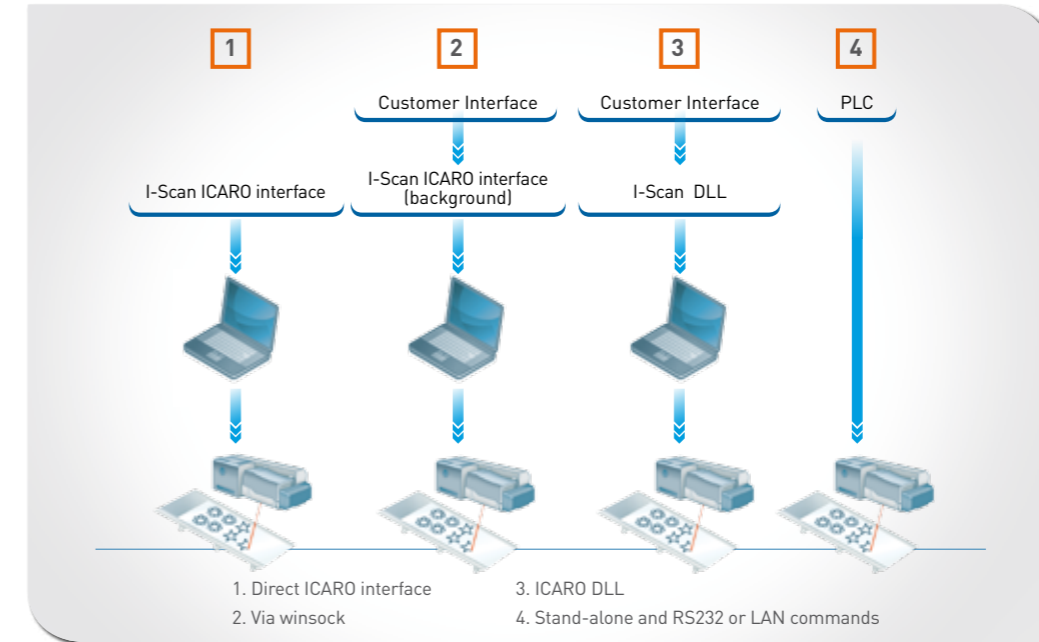


MARKING ON THE FLY CAPABILITY

Enhance any production line with maximum productivity

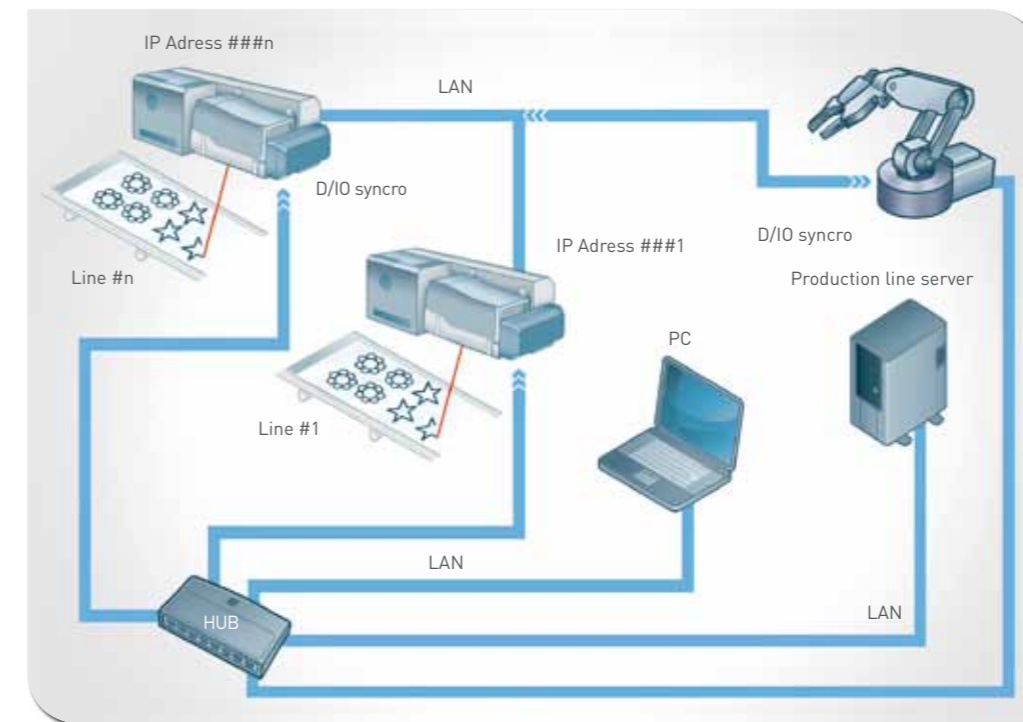
drive and "full digital" electronics. For high quality cutting, engraving and marking. **I-Scan** can be driven by any PC thanks to the user interface ICARO (Windows) or "stand alone" mode (without PC). The possibility of marking "on-the-fly" when installed on

a moving line, the presence of a complete set of digital I/O, serial ports RS 232/485 and network connection LAN10/100, make **I-Scan** the ideal marking/cutting tool for integration into production lines and automation of any kind.



FLEXIBLE MULTIPLE SOFTWARE INTERFACES

From full ICARO interface software to stand alone management control



PLUG & PLAY HARDWARE CAPABILITY

Easy and fast integration into existing or new production lines



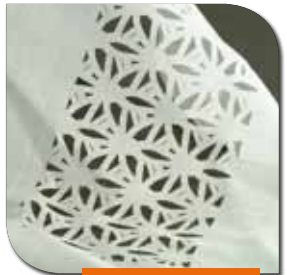
Leather - Shoe industry



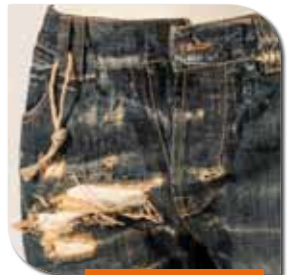
Leather - Fashion belts



Artificial leather



Textile - Garments



Textile - Denim



Technical textiles