



- **NRGL** is a laser system designed for cutting, engraving and marking of sheets and roll materials with maximum working area of 3200x2000 mm.
- Workable materials: paper, cardboard, genuine and fake leather, natural and artificial textiles, rubber, wood, plastics, PMMA etc..
- X-Y plotter system with fixed working table and motorized Z axis.
- High dynamic performances thanks to four brushless motors for the X axis and one brushless motor for the Y axis with **SEI Laser** digital control.
- Cutting head with motorized Z axis and with proportional valve for gas pressure management for cutting and marking.
- Icaro software (CAM): cutting and marking process management, advanced functions like rubber stamps creation (raster gray scale levels up to 16 bit) and 3D cut.



Suction inlet on the cutting head



Safety optic barriers

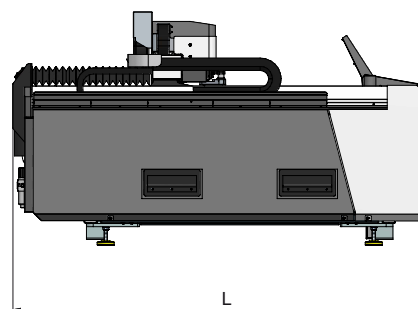
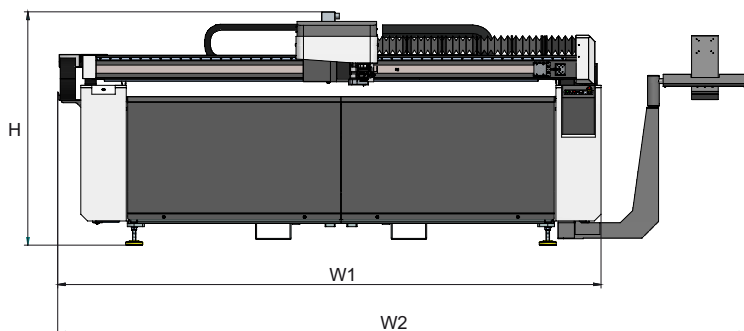
Main technical features:	
Models available (class 4)	1612 - 2215 - 3215 - 3220
Useful work area (mm)	1600x1200 - 2200x1500 3200x1500 - 3200x2000
Nozzle / head clearance (mm)	70 (with 5" focal unit)
Sealed CO ₂ laser source	power available from 150 W to 350W
Repeatability (mm)	± 0,05
Resolution X-Y axes (mm)	<0,002
Max. acceleration (m/s ²)	15
Max. vector speed (mm/s)	2000
Max. raster speed Y axis (mm/s)	2000
Max. resolution bitmap file (dpi)	1200
Max. gray levels bitmap file	65536
Interface software	CAM Icaro on Windows™ platform
Reading file compatibility vector	.dxf; .plt (hpgl); .ai; .eps; .pdf;
Reading file compatibility bitmap	.bmp; .jpg; .tiff; .wmf; .pcd; .pnt; .pcx; etc.
Norm compliance	2006/95/CE Low Voltage Directive 2006/42/CE Machinery Directive 2004/108/CE Electromagnetic Compatibility Directive IEC EN 60825-1 Laser Safety



10/2016

Options available increasing flexibility:

- Cutting kit with print marker recognition; CCD optics+software;
- 3D plug-in for cutting/contouring 3D surface materials (compatibility with .dxf 3D files);
- Creasing kit for cardboard and corrugated cardboard;
- Available focal units and lens holders: 3,75"; 5"; 7,5";
- Conveyor, rewinder/unwinder for textile applications;
- Prearranged fumes suction.



NRGL 1612
W1 = 2605 mm
W2 = 3565 mm
L = 2150 mm
H = 1395 mm

NRGL 2215
W1 = 3245 mm
W2 = 4205 mm
L = 2470 mm
H = 1395 mm

NRGL 3215
W1 = 4250 mm
W2 = 5010 mm
L = 2470 mm
H = 1395 mm

NRGL 3220
W1 = 4250 mm
W2 = 5010 mm
L = 3080 mm
H = 1395 mm

The system is CE certified.
The features and the specifications of the system may change without notice.